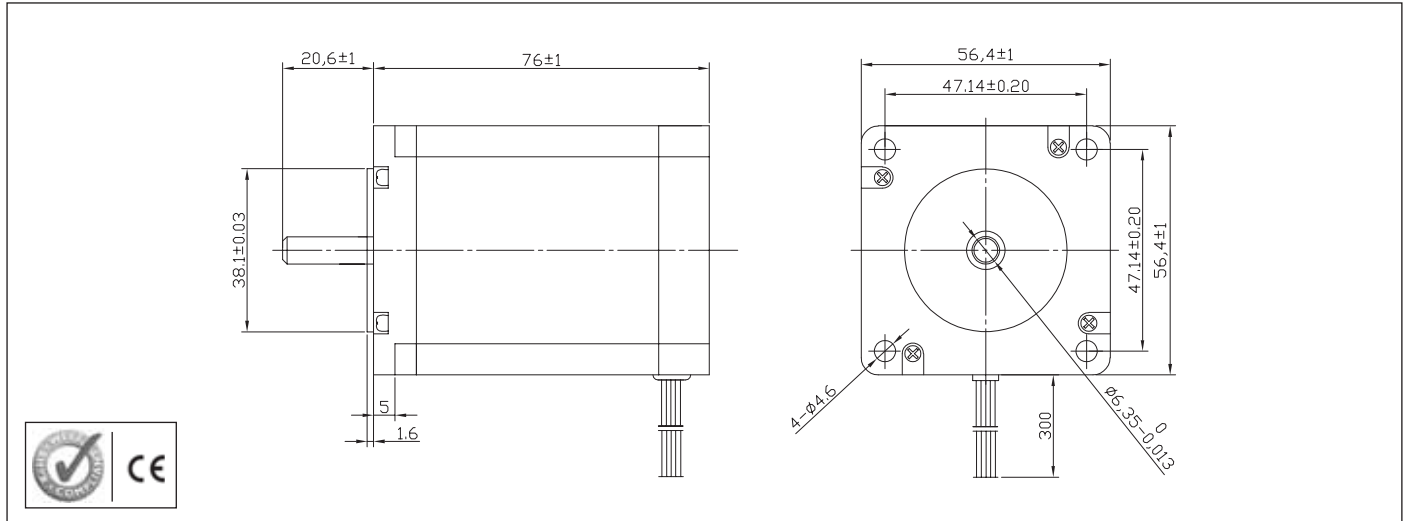


Stepper Motor 57SH76 High Torque Hybrid



Characteristics

STEP ANGLE
1,8°

STEP ANGLE ACCURACY
± 5%

INSULATION CLASS
B

AMBIENT TEMPERATURE
-20°C +50°C

TEMP. RISE
80°C MAX (RATED CURRENT, 2 PHASE ON)

INSULATION RESISTANCE
100 M OHM MIN. 500 VDC

DIELECTRIC STRENGTH
500 VAC FOR ONE MINUTE

SHAFT RADIAL PLAY
0,02 MAX (450 G LOAD)

SHAFT AXIAL PLAY
0,08 MAX. (450 G LOAD)

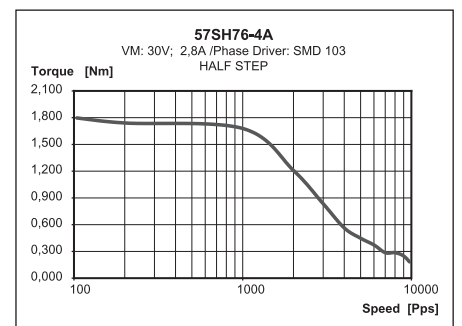
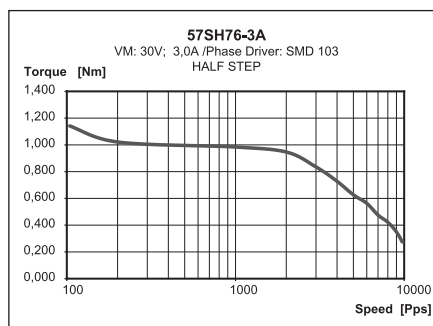
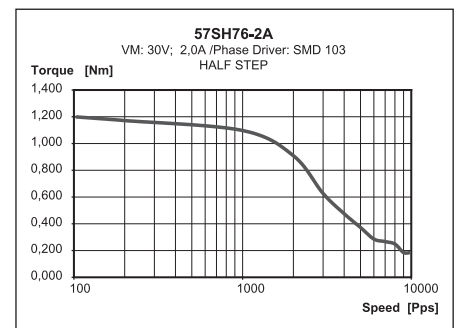
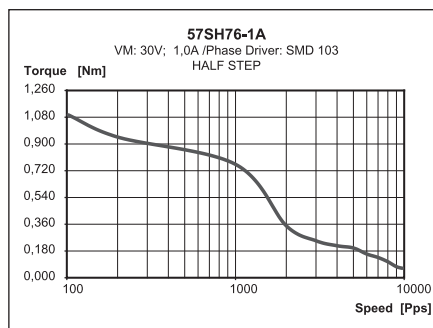
MAX RADIAL FORCE
75 N (20 MM FROM FRONT FLANGE)

MAX AXIAL FORCE
15 N

Specification

Model	57SH76-1A	57SH76-2A	57SH76-3A	57SH76-4A
1 RATED VOLTAGE V	8,6	4,5	3	3,2
2 CURRENT/PHASE A	1	2	3	2,8
3 RESISTANCE/PHASE Ω	8,6	2,25	1	1,13
4 INDUCTANCE/PHASE mH	14	3,6	1,6	3,6
5 HOLDING TORQUE Nm	1,35	1,35	1,35	1,89
6 ROTOR INERTIA g-CM ²	480	480	480	480
7 WEIGHT Kg	1	1	1	1
8 NUMBER OF LEADS N°	6	6	6	4

Speed vs. Torque Characteristics



Connection

LEAD N°	COLOR	GAUGE	FUNCTION
1	BLACK	UL1430 AWG22	PHASE A
2	GREEN	UL1430 AWG22	PHASE A-
3	RED	UL1430 AWG22	PHASE B
4	BLUE	UL1430 AWG22	PHASE B-
UNIPOLAR MOTOR			
5	YELLOW	UL1430 AWG22	COM PHASE A
6	WHITE	UL1430 AWG22	COM PHASE B